

## SPECIFICATIONS

# MHN33PD

## ENERGY ADVANTAGE™ HE FRONT-LOAD WASHER



### ADVANCED SPIN TECHNOLOGY

- Delivers more accurate cycle times and better unbalanced performance.\*
- A six-point suspension features four dampers and two springs, providing better stability for the entire wash unit.
- An accelerometer provides an accurate reading of cabinet vibration.



### DURACORE DRIVE SYSTEM

- DuraCore Drive System is designed and tested to run 15,000 cycles.\*\*
- Watertight, flexible triple-lip seal with garter spring keeps moisture away from the shaft, protecting the premium bearings.
- Durable shaft sleeve is designed to eliminate shaft wear.



### INTELLIGENT CONTROLS WITH M-SERIES TECHNOLOGY

- Provides powerful profits for owners and flexibility for customers.
- Enhanced controls allow customized setup; each cycle and option can be priced individually, maximizing revenue.



### ENERGY-EFFICIENT CLEANING

- ENERGY STAR®-certified and uses on average 10.71 gallons of water per cycle, which helps reduce energy and water costs.
- TurboWash® System's proven high-efficiency technology delivers energy savings without sacrificing cleaning performance.



### CLOTHESPIN® APP BY MAYTAG COMPATIBLE

- Customers will love how convenient it is to do their laundry with the new Clothespin® app by Maytag.
- They can use their smartphones to pay for their laundry, remotely check for available washers and dryers, and receive a notification when their laundry cycles are complete.\*\*\*



REDESIGNED BELLOW



ROBUST HINGE



DURABLE DISPENSER



FRONT ACCESS PANEL

\*Compared to previous model, MHN30, based on 18-lb. load.

\*\*Based on 11-lb. load, 34 min. timed cycle, Heavy Soil.

\*\*\*Subject to terms of use and privacy policy. Message and data rates may apply. In Canada, Maytag Connect 360™ Technology compatible only.

# SPECIFICATIONS

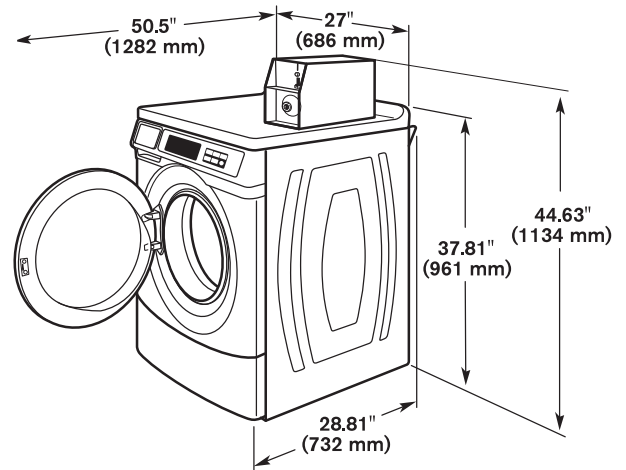
# MHN33PD

# ENERGY ADVANTAGE™ HE FRONT-LOAD WASHER



## MAYTAG® ENERGY ADVANTAGE™ HE FRONT-LOAD WASHER INTELLIGENT CONTROLS, COIN-DROP

WASHER SPECIFICATIONS	
<b>MODEL</b>	MHN33PD
<b>MOTOR</b>	½ (.37)
Variable-Speed, Reversible, Thermoprotected, High-Efficiency, Controlled Induction	Yes
Wash — HP (kW)	.09 (.07)
Extract — HP (kW)	.54 (.40)
Average Energy Consumption Per Cycle (kWh)	.054
<b>CAPACITY</b>	
Cylinder Volume — cu. ft. (liters)	3.1 (88)
Cylinder Diameter — in. (mm)	21.6 (547)
Cylinder Depth — in. (mm)	13.4 (341)
<b>WATER INLET HOSE</b>	
Ft. (m)	4 (1.22)
<b>DRAIN HOSE</b>	
Ft. (m)	6 (1.83)
<b>APPROXIMATE WATER USAGE — GALLONS (LITERS)</b>	
Average Hot Water Usage, Hot Water Cycle	2.71 (10.26)
Average Hot Water Usage, Warm Water Cycle	.71 (2.69)
Average Total Water Usage Per Cycle*	10.71 (40.5)
Modified Energy Factor (MEF <sub>J2</sub> )*	2.2
Integrated Water Factor (IWF)*	3.50
<b>ELECTRICAL RATING</b>	
Domestic Model — voltage	120V / 60Hz
<b>BREAKER / FUSE MIN. REQUIREMENTS</b>	
Domestic Model — amps	15
<b>WASH SPEED — RPM</b>	40
<b>EXTRACT SPEED — MAX RPM / MAX G-FORCE</b>	1,000 / 300
<b>WATER SUPPLY PRESSURE</b>	
Psi (bar)	20 – 100 (1 – 8)
<b>ADJUSTABLE LEVELING LEGS</b>	Yes
<b>COLOR</b>	White
<b>APPROXIMATE WEIGHT</b>	
Crated — lbs. (kg)	254 (115)
Uncrated — lbs. (kg)	245 (111)
<b>DIMENSIONS</b>	
Width — in. (mm)	27 (686)
Depth — in. (mm)	28.81 (732)
Height — in. (mm)	44.63 (1,134)**
Door Opening Diameter — in. (mm)**	14.25 (362)
ADA-Compliant with Optional Pedestal	Yes
<b>OPTIONAL PEDESTAL ADD:</b>	
Height — in. (mm)	2.75 (70)



\*Based on 2018 United States DOE J2 testing with factory preset cycles.

\*\*Includes height of metercase.

Dimensions are for planning purposes only. See specific instructions for proper installation. Because of continuous product improvement, Maytag reserves the right to change specifications without notice.

